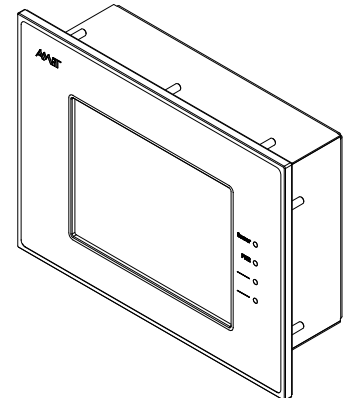


# APT3221WT

Graphic Industrial Terminal / Control System

- Free programmable terminal / control system
- Back-lit graphical 5.7" TFT display, 320 × 240 pixels
- Controlling via touch screen
- Ambient lightning sensor
- Insight temperature sensor
- RS232, Ethernet 10/100 Mbps
- Optionally 2 × RS485 / RS232 / CAN
- SD card slot (for future using)



## TECHNICAL DATA

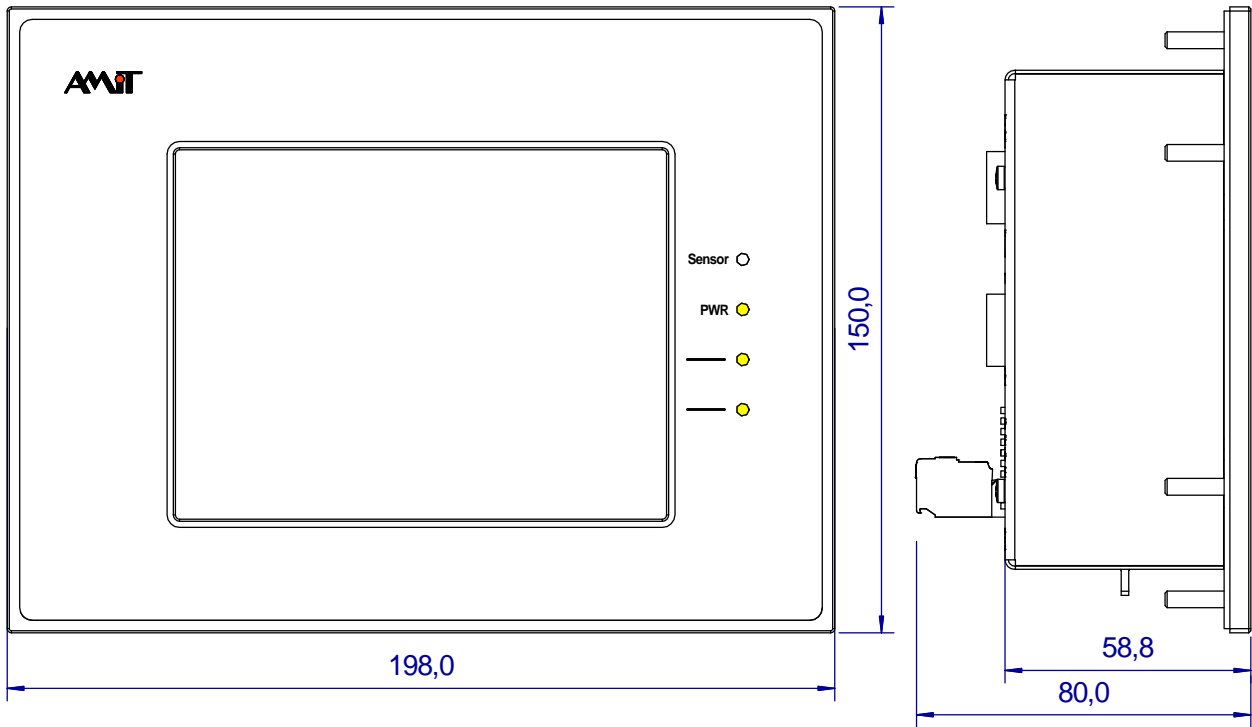
<b>Process CPU</b>	ST10F269
FLASH memory	2 MB + 256 KB
RAM memory	1 MB
EEPROM memory	2 KB
<b>Communication CPU</b>	STM32F107
FLASH memory	256 KB
RAM memory	64 KB
Serial FLASH	8 MB
<b>Display</b>	320 × 240 pixels, 5.7", 256 colours
Brightness	Typically 500 cd/m <sup>2</sup> , min. 350 cd/m <sup>2</sup>
Observation angle	Horizontally 130°, vertically 120°
Back-lit / lifetime	Discharge lamp / 50 000 hours *)
Max. number of faulty pixels	5 isolated luminous / 5 isolated blind / 10 total
By touch screen	Resistive
<b>Communication</b>	
Fixed communication interfaces	RS232 (Tx, Rx, RTS, CTS, DTR, DSR), RJ45 Ethernet 10/100 Mbps, RJ45, in accordance with IEEE802.3
Optionally communication interfaces	2 ×
Optionally communication interfaces	RS485 (with CM-RS485 module) CAN (with CM-CAN module) RS232 (with CM-RS232 module) – only Rx, Tx
Cover protection rate – front panel – back panel	IP65 IP20
<b>Power supply – rated</b>	24 V DC ±20 %
Max. power consumption	400 mA at 24 V DC
<b>Others</b>	
Protection – front panel / back panel	IP65 / IP20
Operating temperature	-20 to 60 °C
Storage temperature	-20 to 60 °C
Max. ambient humidity	< 95 % non-condensing
Weight	1.2 kg
Dimensions (w × h × d)	198 × 150 × 80 mm
Programming	DETStudio (NOS)

\*) Decline in brightness to 50 %

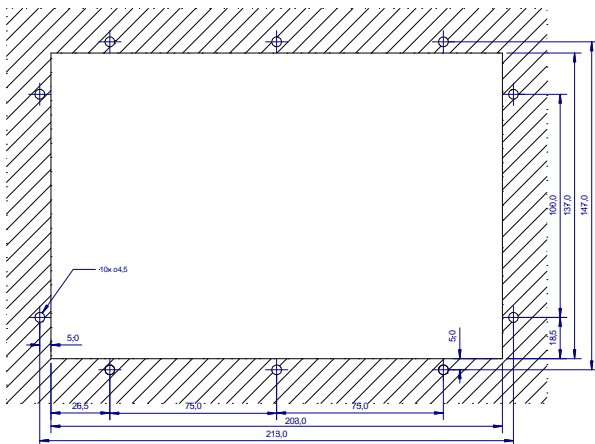
## ORDERING INFORMATION

<b>APT3221WT</b>	Graphical industrial terminal, WAGO connectors, warranty card, user's manual, mount-hole cutting template
<b>CM-RS485</b>	RS485 interface module with galvanic separation
<b>CM-RS232</b>	RS232 interface module without galvanic separation, only Rx and Tx signals
<b>CM-CAN</b>	CAN interface module with galvanic separation
<b>KABEL 232RP</b>	PC connecting cable

## TERMINAL DIMENSIONS

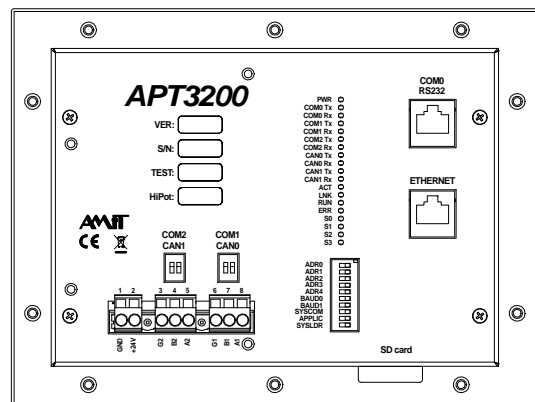


## MOUNTING HOLES



M4 fastening screw, 15 mm length

## BACK PANEL



Note: SD card is not supported by software so far. It is prepared for future using.