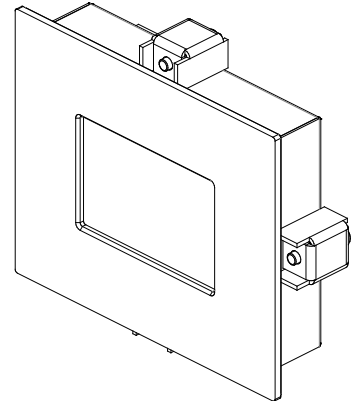


AMR-OP10/90

Programmable Controller with Touch Screen

- LCD monochrome graphical display
- Controlling via touch screen
- 2 × RS485
- Ethernet 10/100 Mbps
- Input for external temperature sensor Ni1000
- Stainless steel front panel
- Power supply 24 V DC



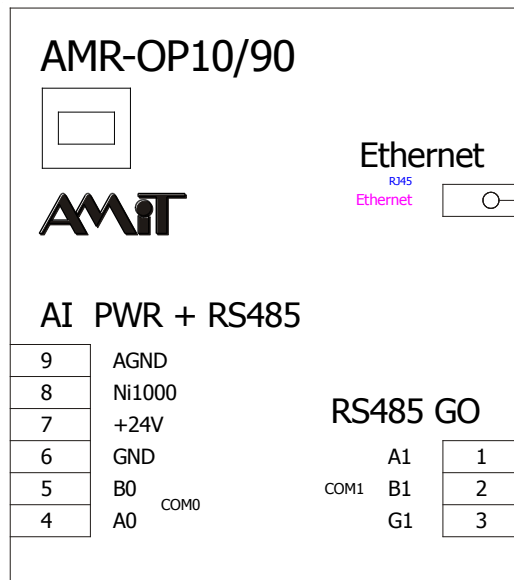
TECHNICAL DATA

Processor	STM32F207
FLASH / RAM / EEPROM memory	512 KB / 128 KB / 2 KB
Backed-up RAM memory	4 KB
RTC	CPU
Accuracy at 25 °C	±20 ppm
Back-up battery (RAM + RTC)	Changeable lithium battery CR2032
Battery lifetime	5 years in normal environment
Display	FSTN / positive / B/W
Resolution	(132 × 64) pixels (asymmetric pixel)
Display area	(58 × 38) mm
Back-lit	White LED
Control	Touch screen
Temperature measuring	External Ni1000/6180 ppm
Measuring range	-20 °C to 120 °C
Measurement accuracy	±0.5 °C
Communication	2 × RS485
Galvanic separation	1 × Yes, 1 × No
Max. number of units on RS485 segment	31
Ethernet interface	1 × RJ45 in accordance with IEEE802.3
Power supply	24 V DC, -30 % to +25 %
Power consumption	70 mA at 24 V DC
Others	
Cover protection rate – front panel	IP65
– back panel	IP20
Operating temperature	-10 °C to 50 °C
Max. ambient humidity	< 95 % non-condensing
Mounting	To the switchboard front panel
Weight	400 g
Dimensions (w × h × d)	(116 × 96 × 48) mm
Programming	DetStudio / EsiDet

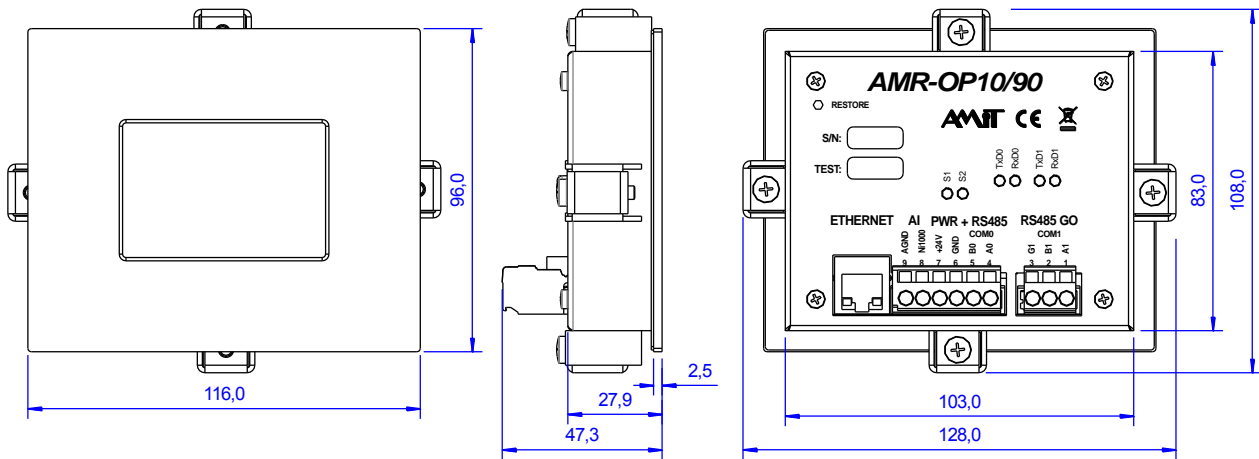
ORDERING INFORMATION

AMR-OP10/90	Programmable controller with touch screen, WAGO connectors, user's manual, 4 × holder, warranty card
--------------------	--

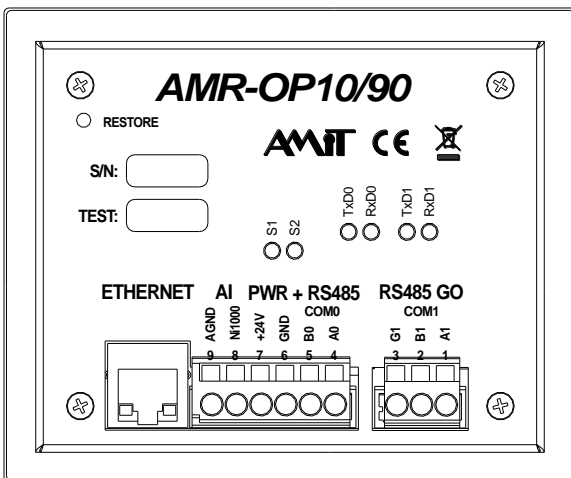
RECOMMENDED DIAGRAM SYMBOL



PHYSICAL DIMENSIONS



TERMINALS ASSIGNMENT



RS485 with galvanic separation

Terminal	Label	Assignment
1	A1	RS485, A line (line with GS)
2	B1	RS485, B line (line with GS)
3	G1	RS485, GND (line with GS)

Power supply+RS485 without galvanic separation

Terminal	Label	Assignment
4	A0	RS485, A line
5	B0	RS485, B line
6	GND	Power supply GND
7	+24V	Power supply 24 V DC
8	Ni1000	Ni1000 temperature sensor
9	AGND	Analogue GND